

STANDARD v.s. OVERSIZED VAC LOCKDOWN FILLING UNIT COMPARISON



STANDARD

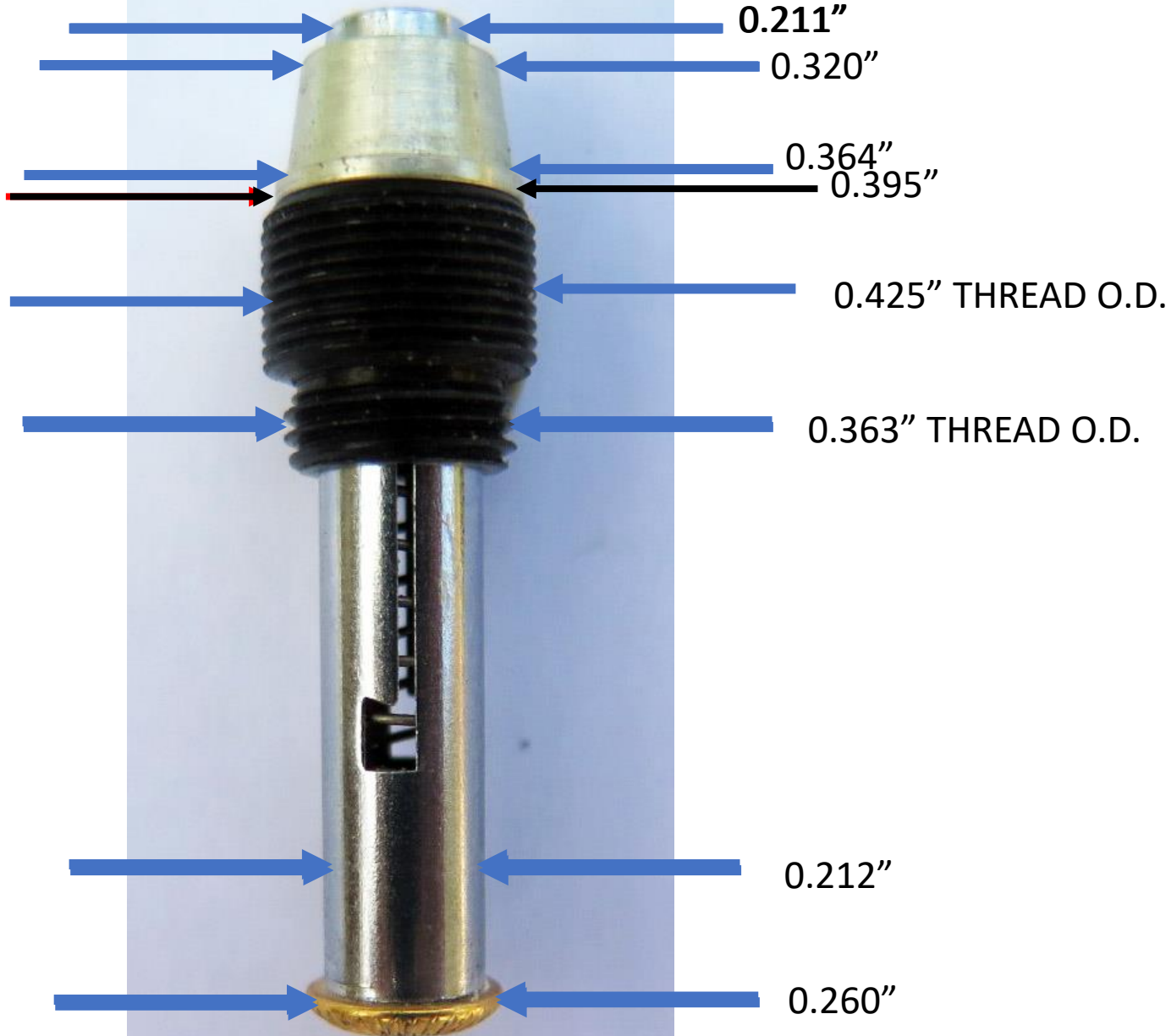


OVERSIZED

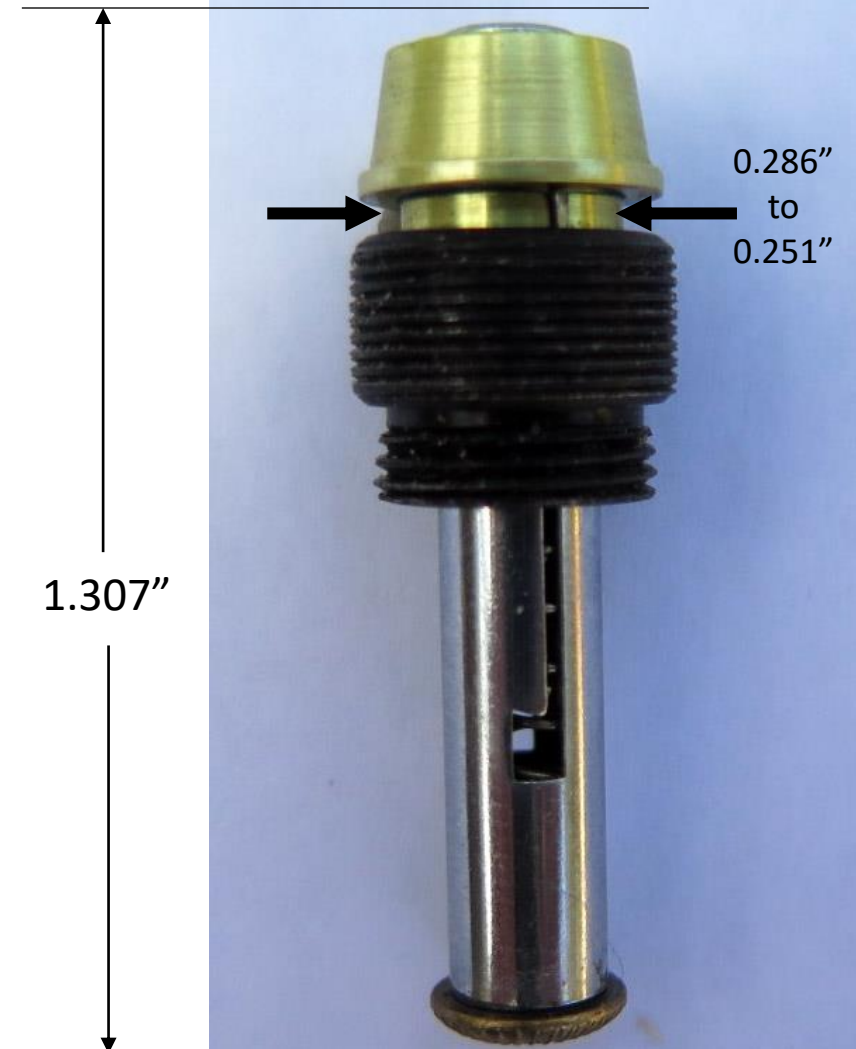
NEW OLD STOCK LOCKDOWN VAC FILLING UNITS AS SENT TO PARKER REPAIR STATIONS



OVERSIZED VAC FILLING UNIT DIMENSIONS



WITH DIAPHRAGM SEAT DOWN



WITH DIAPHRAGM SEAT UP

STANDARD SIZED VAC FILLING UNIT DIMENSIONS

